

# **PAMS Technical Documentation**

## **NSD-3 Series Transceivers**

# **Non Serviceable Accessories**

## CONTENTS

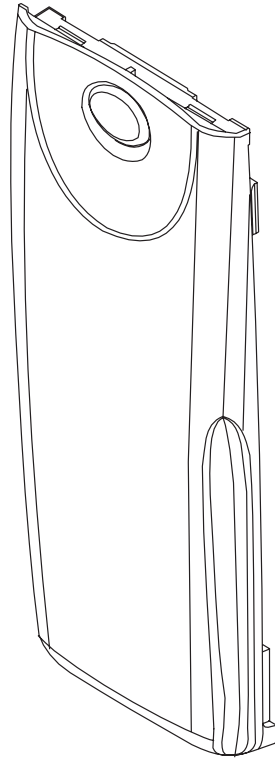
Slim Battery BLS-2 .....	5
Product Code .....	5
Standard Battery BMS-2 .....	6
Product Code .....	6
Battery BMS-2S .....	7
Product Code .....	7
Vibrator Battery BMS-2V .....	8
Product Code .....	8
Extended Battery BLS-4 .....	9
Product Code .....	9
Light Battery BLS-5 .....	10
Product Code .....	10
AC Travel Charger ACP-7 .....	11
Product Codes .....	11
Specification .....	11
Fast Travel Charger ACP-9 .....	12
Product Codes .....	12
Specification .....	12
Cigarette Lighter Charger LCH-9 .....	13
Product Code .....	13
Specification .....	13
Desktop Stand DCH-9 .....	14
Product Code .....	14
Specification .....	14
Mobile Holder MBC-1 .....	15
Product Code .....	15
Mobile Holder MCC-1 .....	16
Product Code .....	16
Power Cable PCH-4J .....	17
Product Code .....	17
Handsfree Microphone HFM-8 .....	18
Product Code .....	18
Handsfree Speaker HFS-12 .....	19
Product Code .....	19
Mounting Plate MKU-1 .....	20
Product Code .....	20
Swivel Mount HHS-9 .....	20
Product Code .....	20
Headset HDC-9 .....	21
Product Code .....	21
Loopset Unit LPS-1 .....	22
Product Code .....	22
Belt Clip BCH-12 .....	23
Product Code .....	23

Belt Clip BCH-16 .....	24
Product Code .....	24
External Antenna Cable XRC-1 .....	25
Product Code .....	25
Data Adapter Cable DAC-2 .....	26
Product Code .....	26
Analog Data Adapter Cable DAR-3 .....	27
Product Code .....	27

This page intentionally left blank.

## Slim Battery BLS-2

The BLS-2 is a Li-ion light battery with 900 mAh capacity.

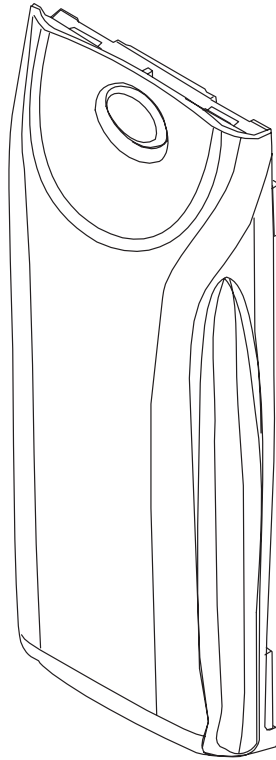


### Product Code

Battery pack BLS-2: *0670206*

## Standard Battery BMS-2

The BMS-2 is a NiMH battery with 900 mAh capacity.

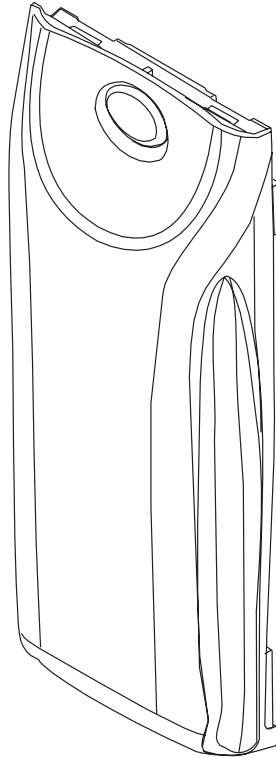


### Product Code

Battery pack BMS-2:                      0670203

## Battery BMS-2S

The BMS-2S is a NiMH battery with 900 mAh capacity. Slimmer than BMS-2.



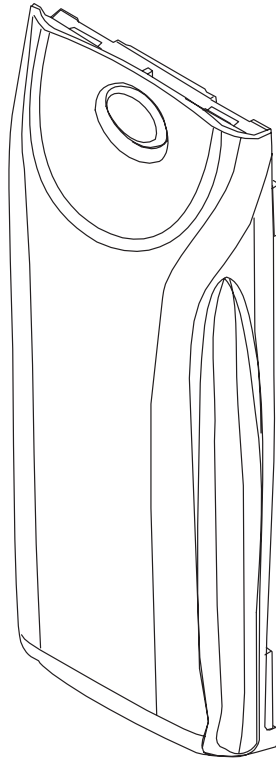
### Product Code

Battery pack BMS-2S:

0670225

## Vibrator Battery BMS-2V

The BMS-2V is a NiMH battery with 900 mAh capacity and vibrator.



### Product Code

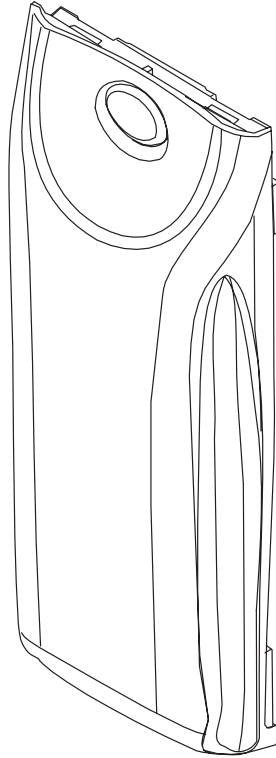
Battery pack BMS-2V:

*0670204*



## Extended Battery BLS-4

The BLS-4 is a Li-ion battery with 1500 mAh capacity.

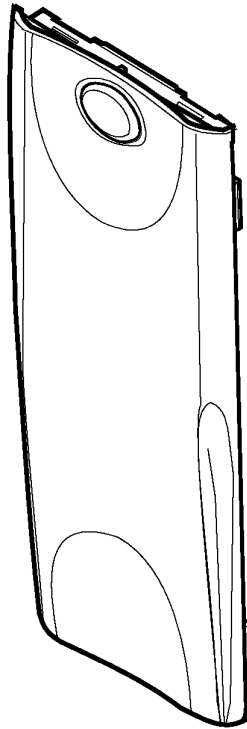


### Product Code

Battery pack BLS-4: *0670207*

## Light Battery BLS-5

The BLS-5 is a Li-ion battery with 600 mAh capacity.

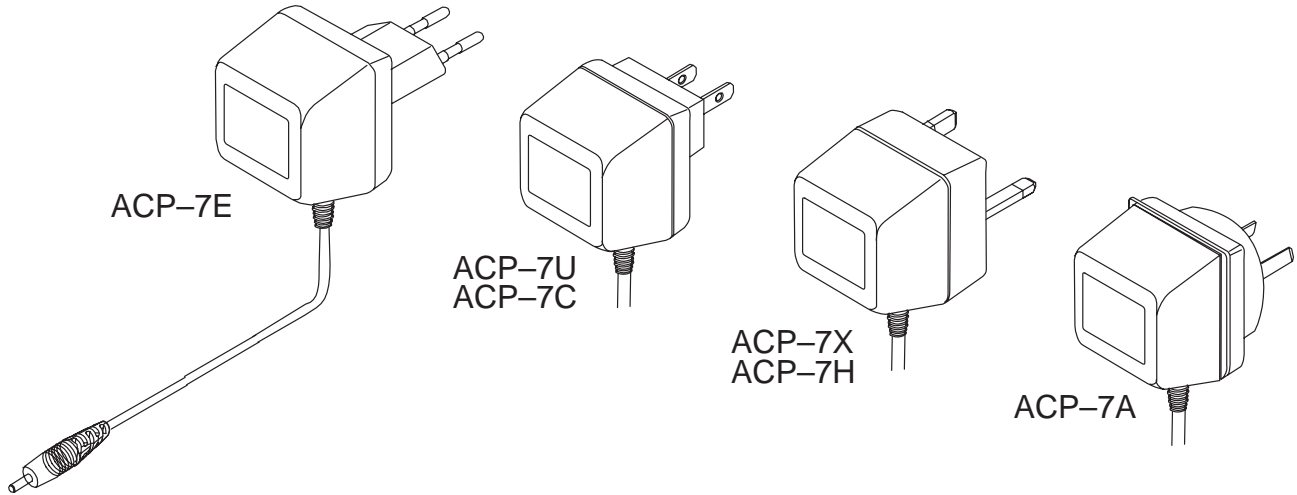


### Product Code

Battery pack BLS-4: *0670224*

## AC Travel Charger ACP-7

The standard charger is available for different voltage levels and comes with different wall plugs. The standard charger can also be used as a power supply for the desktop stand.



S0001160

### Product Codes

AC Travel Charger (Euro plug) 207-253 Vac	ACP-7E 0675144
AC Travel Charger (US plug) 108-132 Vac	ACP-7U 0675143
AC Travel Charger (US plug) 198-242 Vac	ACP-7C 0675158
AC Travel Charger (UK plug) 207-253 Vac	ACP-7X 0675145
AC Travel Charger (UK plug) 180-220 Vac	ACP-7H 0675146
AC Travel Charger (Australia) 216-264 Vac	ACP-7A 0675148

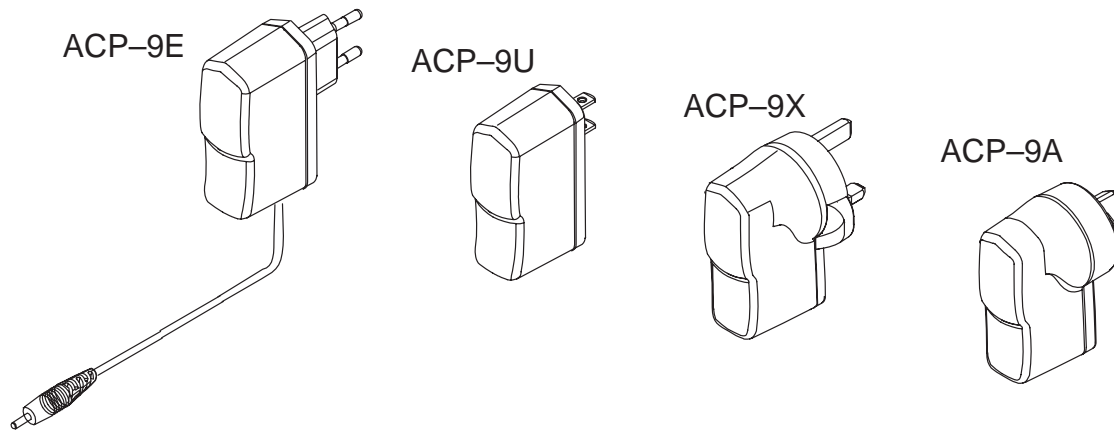
### Specification

Output connectors:	3.5 mm DC plug, 2-pole
Protection:	PTC protection
Output Voltage /Current (typ)	7.6 V / 370 mA

## Fast Travel Charger ACP-9

Operating within the voltage range 90 V...264 V AC (50 Hz...60 Hz), the Fast Travel Charger is practically current independent in normal office and household use. Like the standard charger, it is compatible with all battery options and is available for different wall sockets.

The Fast Travel Charger can also be used with desktop stand.



### Product Codes

Fast Travel Charger (Euro plug) 90-264 Vac	ACP-9E	0675149
Fast Travel Charger (US plug) 90-264 Vac	ACP-9U	0675151
Fast Travel Charger (UK plug) 90-264 Vac	ACP-9X	0675150
Fast Travel Charger (Australia) 90-264 Vac	ACP-9A	0675152
Output cable PCC-1 (supplied with ACP-9):		0730076

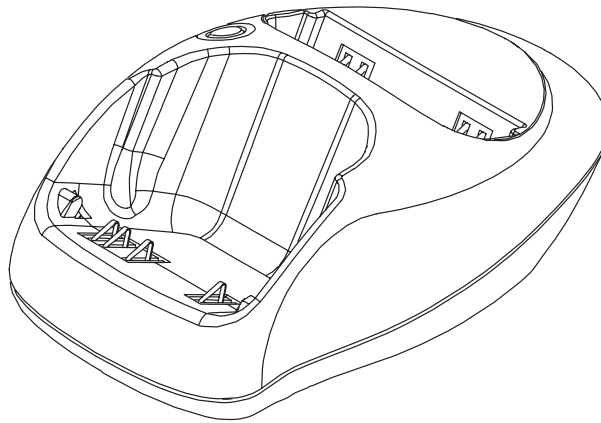
### Specification

Output connectors:	<i>3.5 mm DC plug, 3-pole (+, -, control)</i>
Protection:	<i>output current limiting, max. 850 mA</i> <i>output voltage limiting, max. 9.3 V (unloaded)</i>
Output voltage/current (typ):	<i>8.4 V / 800 mA</i>



## Desktop Stand DCH-9

The desktop stand provides mounting place for both the phone and a spare battery.



### Product Code

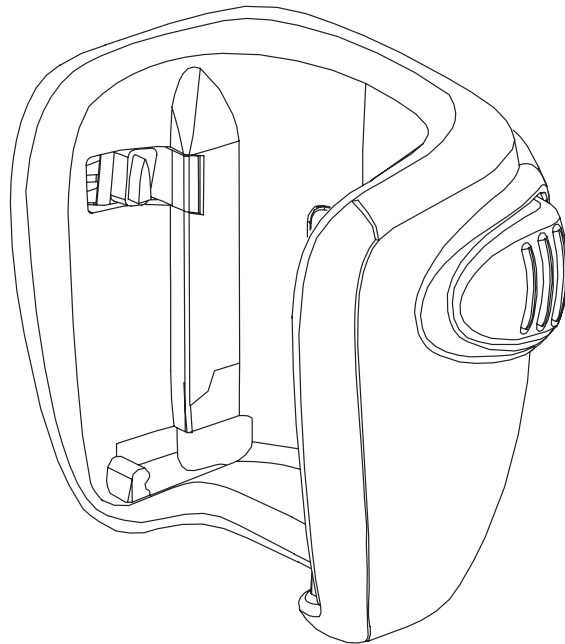
Desktop stand DCH-9:

0675174  
0700049

### Specification

Connections:	3.5 mm DC jack
Charge control:	MCU control for spare battery charging
Operation input voltage:	9...16 V

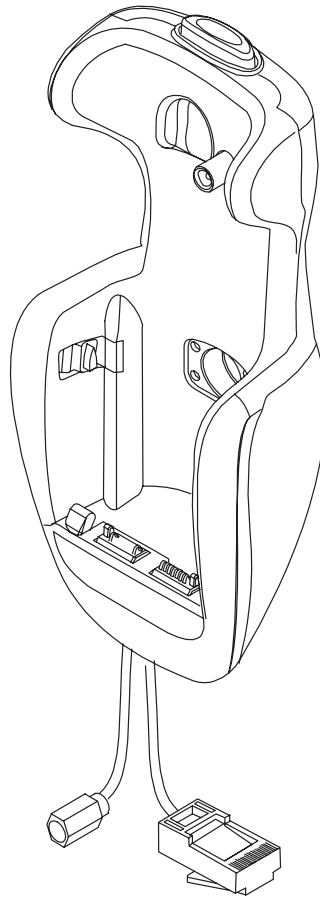
## Mobile Holder MBC-1



### Product Code

Mobile holder MBC-1:                    *0700060*

## Mobile Holder MCC-1

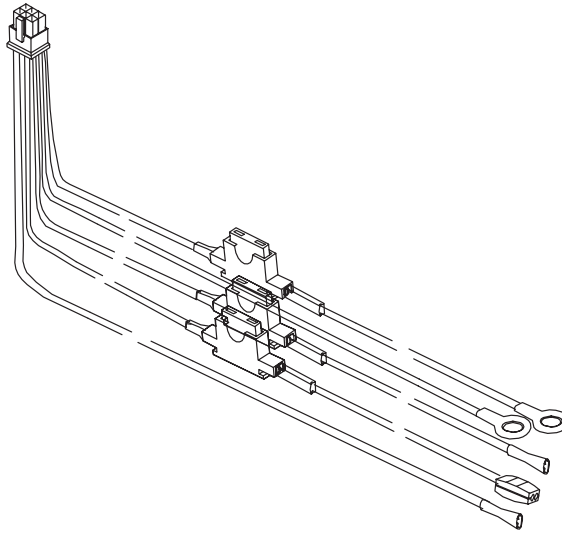


### Product Code

Mobile holder MCC-1:            *0620043*



## Power Cable PCH-4J



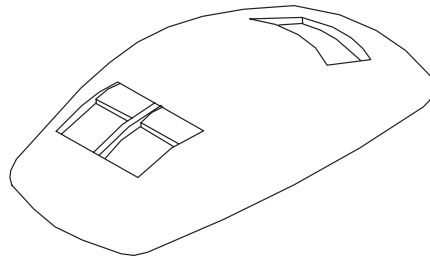
### Product Code

Power cable PCH-4J:

*0730055*

## Handsfree Microphone HFM-8

The HFM-8 microphone forms part of advanced handsfree unit.

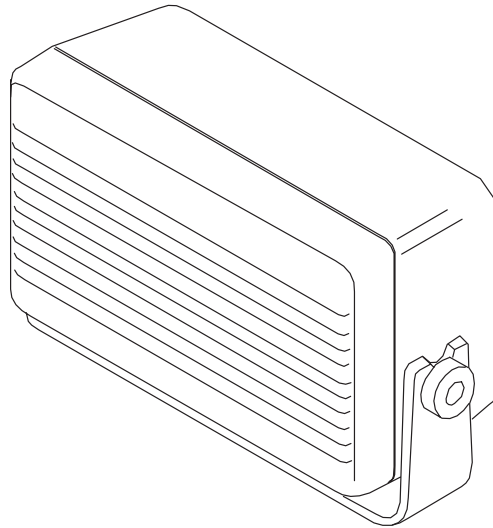


### Product Code

Handsfree microphone HFM-8: *0690016*

## Handsfree Speaker HFS-12

The HFS-12 speaker forms part of advanced handsfree unit.

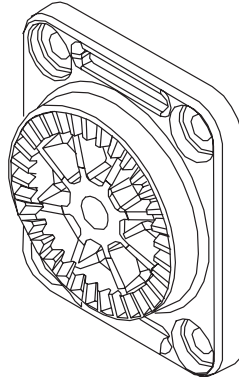


### Product Code

Handsfree Speaker HFS-12: *0692008*

## Mounting Plate MKU-1

The MKU-1 mounting plate provides a method of fixing the phone holder, the basic handsfree unit or the handset to the vehicle interior.



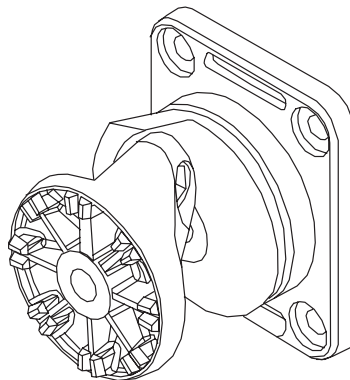
### Product Code

Mounting plate MKU-1:

*0620036*

## Swivel Mount HHS-9

The HHS-9 swivel mounting plate provides an alternative (to MKU-1) method of locating the phone holder, the handsfree unit, or the handset.



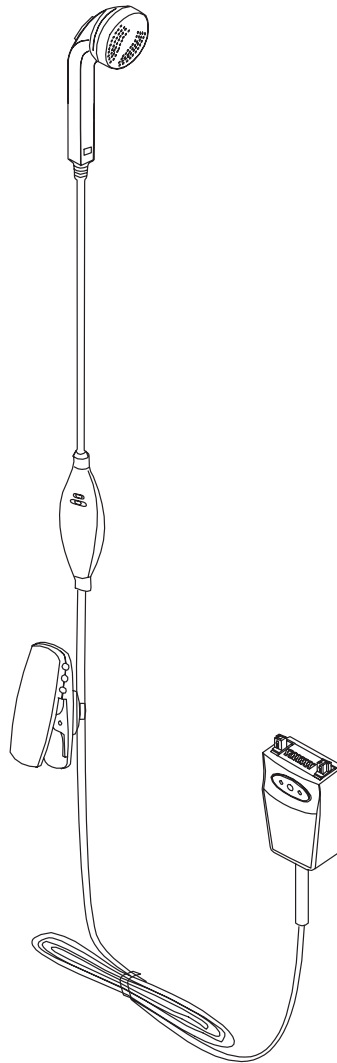
### Product Code

Swivel mounting plate HHS-9:

*0620037*

## Headset HDC-9

The HDC-9 headset provides a also hook switch for the phone/micro-  
phone.



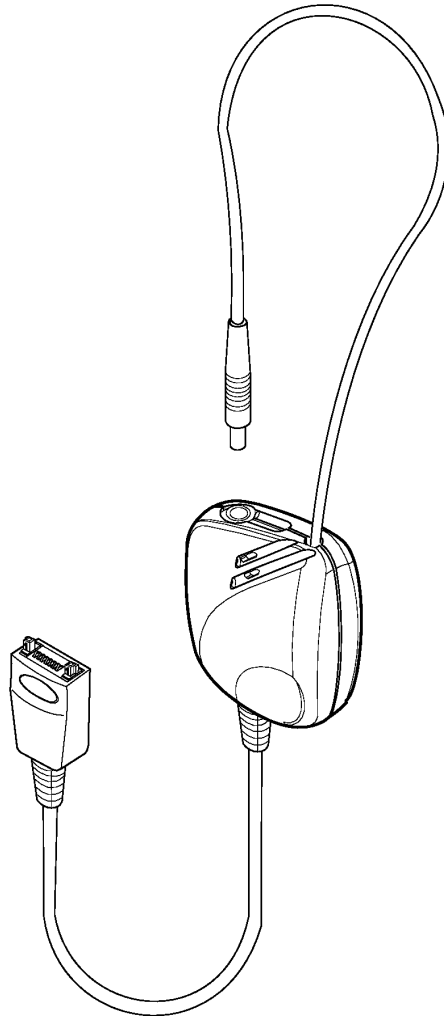
### Product Code

Headset HDC-9:

0694053

## Loopset Unit LPS-1

Aid device for simultaneous use of hearing aid and digital mobile phone.  
Connection directly to the system connector of a transceiver.

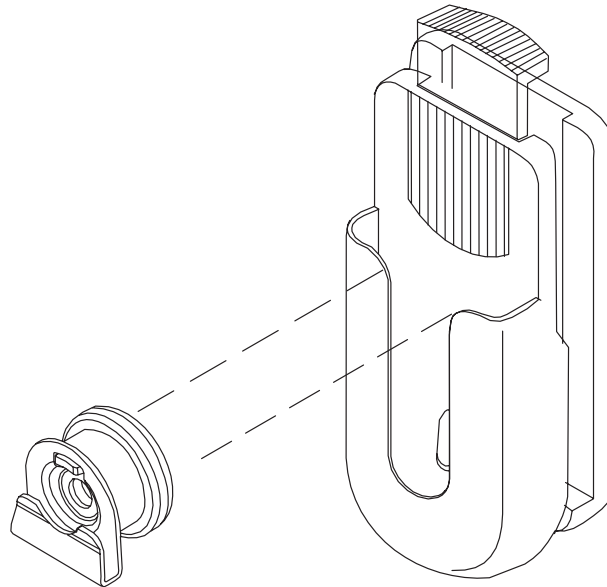


### Product Code

Loopset LPS-1:

0201179

## Belt Clip BCH-12

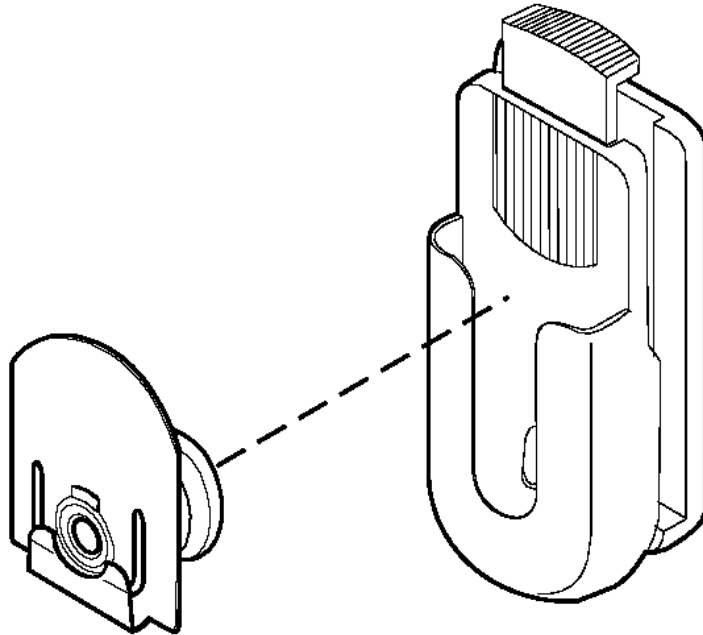


### Product Code

Belt Clip BCH-12:                      *0720098*

**NOTE:** Belt Clip **BCH-12** **MUST NOT** be used with **NSM-1** phone.

## Belt Clip BCH-16



### Product Code

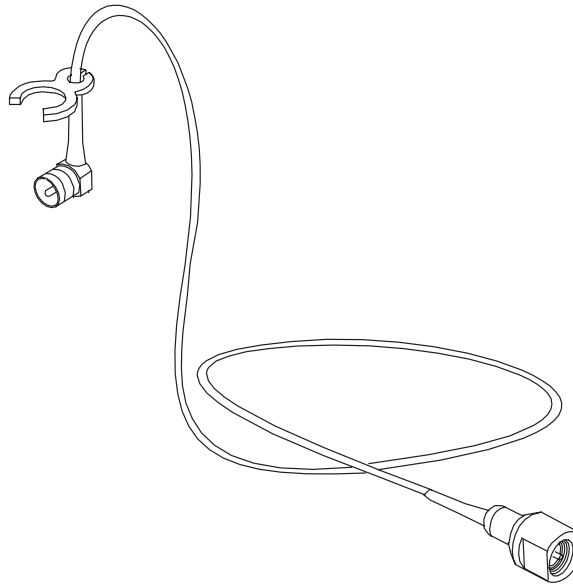
Belt Clip BCH-16: *0720145*

**NOTE:** Belt Clip **BCH-12** **MUST NOT** be used with **NSM-1** phone.



## External Antenna Cable XRC-1

The External Antenna Cable is used to connect the phone to an external antenna.

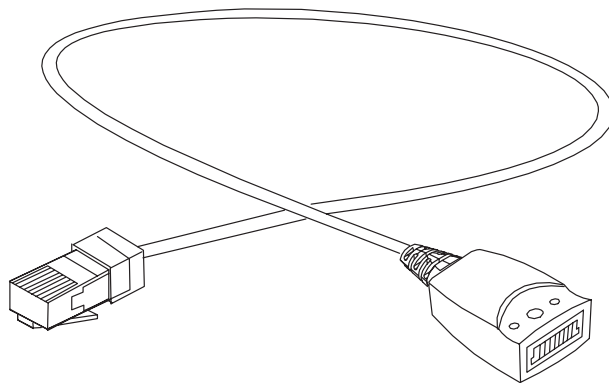


### Product Code

External Antennacable XRC-1:                      *0730103*

## Data Adapter Cable DAC-2

The Data Adapter Cable is used with the Advanced Car kit.



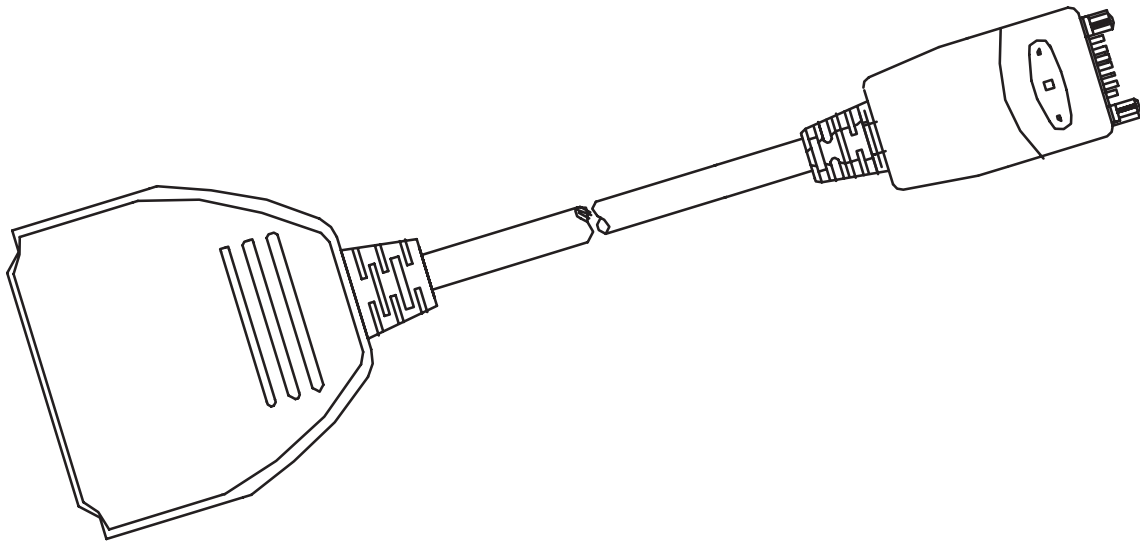
### Product Code

Data Adapter Cable DAC-2:

*0720100*

## Analog Data Adapter Cable DAR-3

The Analog Data Adapter Cable is used with phone and modem.



### Product Code

Analog Data Adapter Cable DAR-3:

0730140

This page intentionally left blank.